

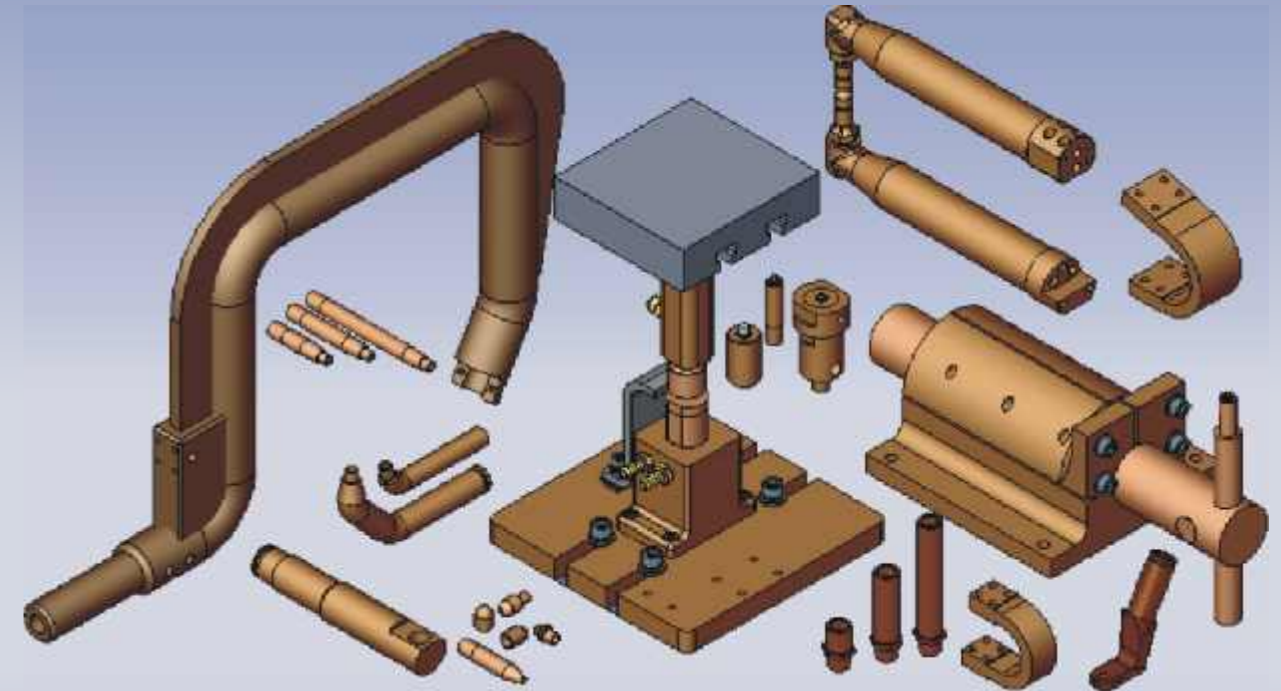
FOR THE JOINING OF OUR WORLDS



Port Elizabeth - Head Office

19 Lindsay Road, Neave Ind
Box 4016, Port Elizabeth,
S.A.
Tel: (+27) (41) 401 4800
Fax: (+27) (41) 451 3014
E-Mail: sales@xmeco.co.za

FOR THE JOINING OF OUR WORLDS



XES is a Recognised Outlet for:

- | | |
|-------------------|---|
| Obara | - Complete welding solutions |
| Harms & Wende | - Welding controllers |
| Luvata | - Welding electrodes & Welding wire |
| Carl Stahl Kromer | - Balancers |
| Diverse | - Squeeze analysers |
| Jutec | - Protective robot gun jackets |
| Serra Soldadura | - Weld controllers, Pedestal & Projection welders |

www.xmeco.com



XMECO

Engineering

SERVICES
SERVISAS





Sales service & support

We offer complete backup to all our products.

You can rely on excellent service from our sales teams in Port Elizabeth, Johannesburg and Durban.

History

For more than 50 years Xmeco has stood for professional and high quality resistance welding equipment in the motor industry.

Engineering

Xmeco designs, manufactures and commissions a wide range of resistance welding equipment.

We also manufacture several ranges of weldguns according to company specifications.

We have set ourselves new objectives and goals, namely to expand our business by developing a broader product range.

Having the technical know-how we aim to focus our efforts on all automotive bodyshop welding and support equipment.

Customer commitment

Our first responsibility is to our customers. We strive to meet their needs in a professional manner, with courteousness and effectiveness.

Our concept of value to our customers lies in the timeous delivery to them of competitively priced products of sound design and manufacturing integrity to render reliable operation under exacting conditions.

Markets

- Automotive 80%
- Agriculture 3%
- Mining 12%
- Marine & Wildlife 5%

IN-field Service & Support

- Equipment maintenance audits
- Equipment repairs
- Equipment servicing
- Equipment calibration & setup services
- Equipment strip-out & installation

Facilities & solutions

- Technical Sales & Support
- Design & Product Development
- Turnkey Projects
- Extensive availability of alloys for Resistance welding
- Extensive Machining & Manufacturing
- Assembly & Testing Workshop
- Stock holding of most commonly used spares

- SOUTH AMERICA
- SOUTH AFRICA
- CHINA
- PHILLIPPINES
- U.K.

